

Relief Valve



Made In Taiwan



SINGLE - STAGE BLOWER 1 PHASE

SINGLE - STAGE BLOWER 3 PHASE

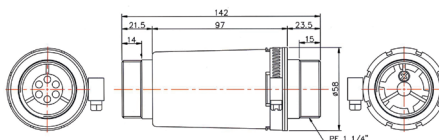
### RING BLOWER [HIGH - PRESSURE BLOWER]

Professional blowers operate quietly and efficiently with high torque and low noise rotation

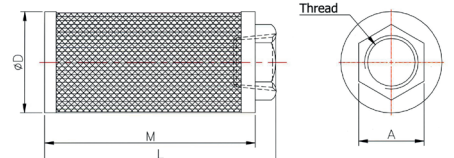
\*มีอายุการใช้งานยาวนาน และง่ายต่อการติดตั้งสามารถใช้งานได้ต่อเนื่องเป็นเวลานาน ในสภาวะอุณหภูมิ 40° C.

SINGLE - STAGE SIDE CHANNEL BLOWER 1 PHASE							Voltages 220 V.50 Hz.	
Model	New Model No.	HP	Voltages	Inlet Outlet	Price	Impeller Price	Inlet Filter Price	
RT-0200S	RT-1003-1	0.25	220/50HZ.	1"	12,000	4,500	1,600	
RT-0400S	RT-2005-1	0.5	220/50HZ.	1 1/4"	15,000	5,000	1,900	
RT-0750S	RT-3009-1	1	220/50HZ.	1 1/2"	19,000	6,500	2,200	
RT-1900S	RT-4018-1	2	220/50HZ.	2"	26,000	8,500	3,400	
RT-2200S	RT-5026-2	3	220/50HZ.	2"	57,000	13,000	3,400	
RT-3700S	RT-6037-2	5	220/50HZ.	2"	65,000	13,000	3,400	

SINGLE - STAGE SIDE CHANNEL BLOWER 3 PHASE							Voltages 220/380 V.50 Hz.	
Model	New Model No.	HP	Voltages	Inlet Outlet	Price	Impeller Price	Inlet Filter Price	
RT-0200	RT-1003	0.25	220/380/50HZ.	1"	12,000	4,500	1,600	
RT-0400	RT-2005	0.5	220/380/50HZ.	1 1/4"	15,000	5,000	1,900	
RT-0750	RT-3009	1	220/380/50HZ.	1 1/2"	19,000	6,500	2,200	
RT-1900	RT-4019	2	220/380/50HZ.	2"	26,000	8,500	3,400	
RT-2200	RT-5026	3	220/380/50HZ.	2"	34,000	13,000	3,400	
RT-3700	RT-6037	5	220/380/50HZ.	2"	40,000	13,000	3,400	
RT-5500	RT-7063	7.5	220/380/50HZ.	2 1/2"	78,000	22,000	8,200	
RT-7500	RT-8086	10	220/380/50HZ.	2 1/2"	90,000	25,000	8,200	
RT-11000	RT-9110	15	220/380/50HZ.	4"	160,000	39,000	19,000	
RT-15000	RT-9150	20	220/380/50HZ.	4"	190,000	40,000	19,000	
RT-22000	RT-9220	30	220/380/50HZ.	4"	210,000	40,000	19,000	



LET FILTER



#### RELIEF VALVE

TYPE No.	RV-03	RV-36
HP.	0.25-3	5-30
Thread	PF-1 1/4"	PF-1 1/4"
Range	0~300 mbar	300~600 mbar
Price	4,000	4,000

#### INLET FILTER

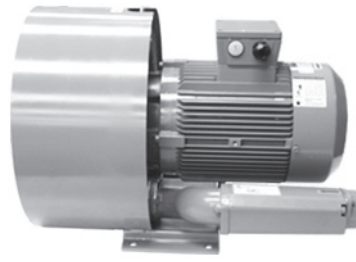
Type No.	Thread PT	A mm.	D mm.	L mm.	M mm.	Filtration mesh	Flow l/min	Weight Kgs.	Price
MF-08	1"	42	58	170	155	100	110	0.20	1,600
MF-10	1 1/4"	54	71	186	170	100	210	0.35	1,900
MF-12	1 1/2"	65	85	196	182	100	285	0.49	2,200
MF-16	2"	75	103	215	202	100	395	0.65	3,400
MF-20	2 1/2"	97	148	274	252	100	750	1.20	8,200
MF-32	4"	142	208	380	357	100	1000	2.45	19,000



บริษัทแอดวานอินดัสเทรียลเซอร์วิสจำกัด  
38/1 หมู่ 6 ตำบลพระยาต อำเภอสลหาไห จังหวัดสระบุรี 18160  
Tel. 036-670-573 E-mail : advance.saraburi@gmail.com



www.adv-in.com



TWO - STAGE SIDE CHANNEL BLOWER



Made In Taiwan



## RING BLOWER [HIGH - PRESSURE BLOWER]

Professional blowers operate quietly and efficiently with high torque and low noise rotation

\*มีอายุการใช้งานยาวนาน และง่ายต่อการติดตั้ง \*สามารถใช้งานได้ต่อเนื่องเป็นเวลานาน ในสภาวะอุณหภูมิ 40° C.

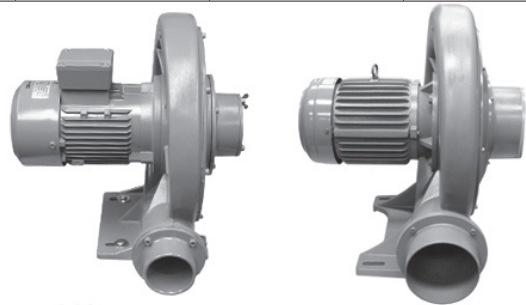
### "LDL" TWO - STAGE SIDE CHANNEL BLOWER 3 Phase

Voltages 220/380 V.50 Hz.

Model	HP	Voltages	Inlet Outlet	Price	Impeller Price	Inlet Filter Price
RT-23009	1	220/380/50HZ.	1 1/4"	43,000	6,500	1,900
RT-33019	2	220/380/50HZ.	1 1/2"	51,500	8,500	2,200
RT-33026	3	220/380/50HZ.	1 1/2"	55,500	8,500	2,200
RT-43037	5	220/380/50HZ.	2"	70,000	13,000	2,800
RT-43046	5	220/380/50HZ.	2"	75,000	13,000	2,800
RT-63046	5	220/380/50HZ.	2"	102,500	13,000	2,800
RT-63063	7.5	220/380/50HZ.	2"	111,000	13,000	2,800
RT-63086	10	220/380/50HZ.	2"	117,000	13,000	2,800
RT-83086	10	220/380/50HZ.	2 1/2"	161,500	25,000	8,200
RT-83130	15	220/380/50HZ.	2 1/2"	185,000	25,000	8,200
RT-83190	20	220/380/50HZ.	2 1/2"	200,000	25,000	8,200



## TURBO BLOWER



### "LDL" Turbo Blower 3 Phase 220/380 V.50Hz. / Single Phase 220 V.50Hz. ( 0.5-2 HP)

Model	HP	Voltages	Inlet	Outlet	Price	Impeller Price
TB-0400	0.5	220/380/50HZ.	4"	3"	24,500	6,500
TB-0750	1	220/380/50HZ.	5"	4"	29,000	8,500
TB-1500	2	220/380/50HZ.	5"	4"	37,000	10,000
TB-2200	3	220/380/50HZ.	7"	5"	46,500	13,000
TB-3700	5	220/380/50HZ.	7"	6"	69,000	18,000
TB-5500	7.5	220/380/50HZ.	9"	6"	130,000	28,000
TB-7500	10	220/380/50HZ.	11"	8"	160,000	33,000

